

SCHLAGE

PS904

4 amp power supply



Photo as shown includes optional board(s). Please contact your local sales office or visit the support section on our website for configuration assistance.

Overview

The Schlage comprehensive line of power supplies and option boards was designed to address the changing needs of the access control market.

Installation is simplified by utilizing a flat mounting design and polarized locking connectors for option boards. This design eliminates the need for racks and side connectors. The flat mounting of the option boards also provides for easier access to the terminal blocks for connection of electrified devices (such as electrified strikes, electromagnetic locks, card readers, etc.).

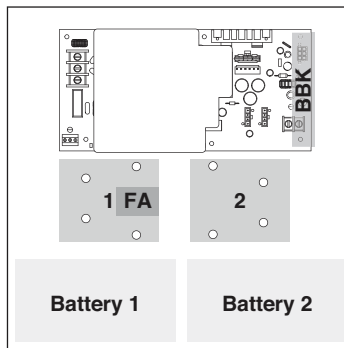
Common to the line of PS900 Series power supplies is a constant output rating at both 12v and 24v settings, universal 120 VAC to 240 VAC input, and polarized option board connectors. New fire alarm interface board mounting allows outputs to be configured as switched (power cut) or unswitched (power continues) when signal is provided.

Features and benefits

- 4A @ 12/24 VDC constant output, field selectable with jumper
- Provides low-voltage, Class 2, filtered and regulated power
- Universal 120-240 VAC, fused primary input
- Two polarized option board connectors eliminate need for racks and side connectors
- AC input and DC output monitoring circuit with LED indicators
- Externally visible AC input indicator with isolated SPDT contacts
- High-voltage protective cover for AC circuitry (not shown)
- Battery back-up board auto-selects voltage
- Optional Fire Alarm plug-in board available
- UL 294, ULC-S318, RoHS, and FCC Part 15 certified

Configuration options

Available option board, fire alarm and battery backup connection locations:



Exit device support

Von Duprin QEL	Up to 4 ¹
Von Duprin EL	None
Falcon EL	None

1. Requires the use of one 900-4RL option board

PS904 power supply specifications

Specification	Description
Input voltage	120/240 VAC, 50/60 Hz, universal input
Output voltage	4A @ 12 or 24 VDC Field selectable with jumper Switching supply, 5% regulation, 240mVpp max ripple
Enclosure	Grey/baked enamel 14" x 12" x 4" (H x W x D) Eight 1/2" x 3/4" knockouts NEMA Grade 1 Hinged cover with lock down screws
Operating temperature	32° - 120°F (0° - 49°C)
Certifications	ANSI/UL 294 ULC-S318 RoHS FCC Part 15 Class 2
Battery backup (install on main board)	900-BB: Battery backup board only 900-BBK: Battery backup kit (backup board plus battery pack)
Available option boards	900-FA: Plug-in fire alarm (must be installed on option boards) 900-2RS*: 2 Relay option board capable of individual or sequential operation for single and pair door applications 900-4R*: 4 Relay option board 900-4RL*: 4 Relay option board with integrated logic and individual or sequential operation capability for controlling security interlocks, auto operators and time delay function 900-8F*: Fused, 8 zone option board 900-8P*: PTC, 8 zone option board
AC primary fuse size	4A, 250v, 5 x 20mm
Battery fuse size	7.5A 32v ATO blade style
DC output protection	Overload protection - current limited foldback circuit
Indicators	LED indicators: - AC input (visible on outside of enclosure) - DC output Isolated SPDT contacts to monitor AC power status
Weight (power supply)	Approx. 9.0 lbs
Weight (each battery)	4.0 lbs
AC input termination	3 position terminal block with protective cover Wire capacity: 10 AWG max.
DC output termination	2 position terminal block Wire capacity: 12 AWG max.
Option board connectors	2
Fire alarm board connector	Yes (requires connection on option board)
Keylock	Optional
Accessories	900-BAT: Backup battery pack

* Compatible with plug-in fire alarm board (900-FA)

Allegion, the Allegion logo, Schlage, and the Schlage logo are trademarks of Allegion plc, its subsidiaries and/or affiliates in the United States and other countries. All other trademarks are the property of their respective owners.

About Allegion

Allegion (NYSE: ALLE) is a global pioneer in safety and security, with leading brands like CISA®, Interflex®, LCN®, Schlage®, SimonsVoss® and Von Duprin®. Focusing on security around the door and adjacent areas, Allegion produces a range of solutions for homes, businesses, schools and other institutions. Allegion is a \$2 billion company, with products sold in almost 130 countries. For more, visit www.allegion.com.

KRYPTONITE ■ LCN ■  ■ STEELCRAFT ■ VON DUPRIN



© 2017 Allegion
004194, Rev. 08/17
www.allegion.com/us