

SecureMOIR™

Secure MagStripe-Only Insert Reader

Encryption For Magnetic Stripe Data

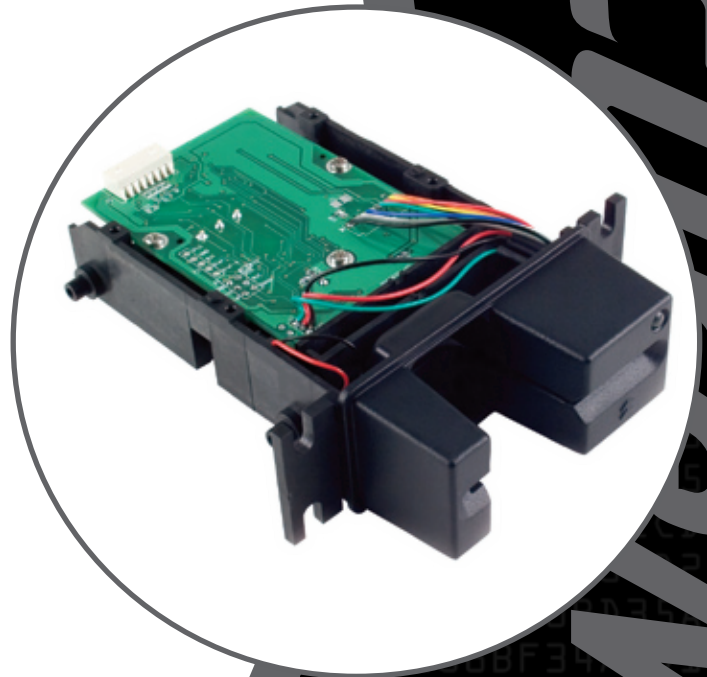
ID TECH's Secure Magstripe Only Insert Reader (MOIR) is designed to read and decode up to three tracks of magnetically-encoded information. This intelligent reader delivers superior reading performance while encrypting sensitive data that helps reduce PCI-DSS scope. The SecureMOIR ensures all data transactions are protected from end to end, reducing fraud and data compromises. Data encryption prevents card holder information from being accessed when data is stored or in transit. It also allows customers the flexibility to choose a decryption party right for them. The SecureMOIR supports TDES and AES data encryption using DUKPT key management.

Security Management

Each SecureMOIR is assigned a unique serial number for tracking purposes. Encrypted data output with confirmation data in clear text form is programmable up to the first six digits and the last four digits of the account number. For increased data protection, the SecureMOIR has several operational security levels allowing the user to select the security profile needed for the application.

Features and Benefits:

- Reads cards upon insertion and withdrawal
- Reader can function as a standard reader, or can be configured to an encrypted reader
- Each device includes a unique serial number
- Provides clear text confirmation data including card holder's name and a portion of the PAN as part of the masked track data
- Reads encoded data that meets ANSI/ISO/AAMVA standards and most custom formats such as ISO track one format on track two or three
- Reads up to three tracks of card data
- Supports TDES & AES encryption (TDES is standard)
- DUKPT key management
- Bezel options: standard, metal/flush mount
- Tri-color LED (optional)



IDTECH®
Value through Innovation

SecureMOIR™ Specifications SPTC-BXX

Electrical

Power Requirements: RS-232: +5 VDC/55mA (power adapter regulated 5 VDC/250mA or equivalent)
USB & Keyboard: +5 VDC/55mA power supplied by the host computer

Operating Current: 55 mA maximum for three tracks of magnetic data

Interfaces: RS-232, USB-HID, USB-HID keyboard

Environmental

Operating Temperature: 32° F to 131° F (0° C to 55° C)
Storage Temperature: -40° F to 158° F (-40° C to 70° C)
Humidity: Maximum 95% non-condensing

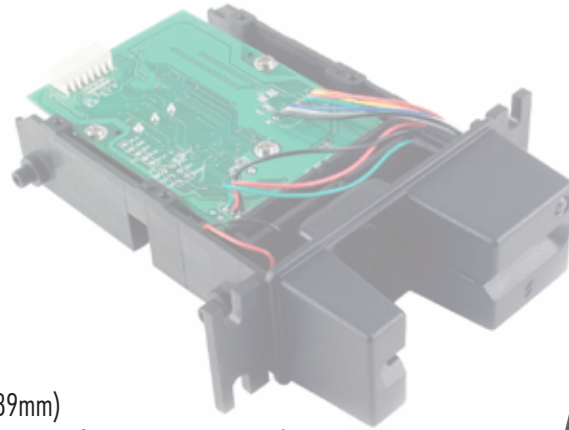
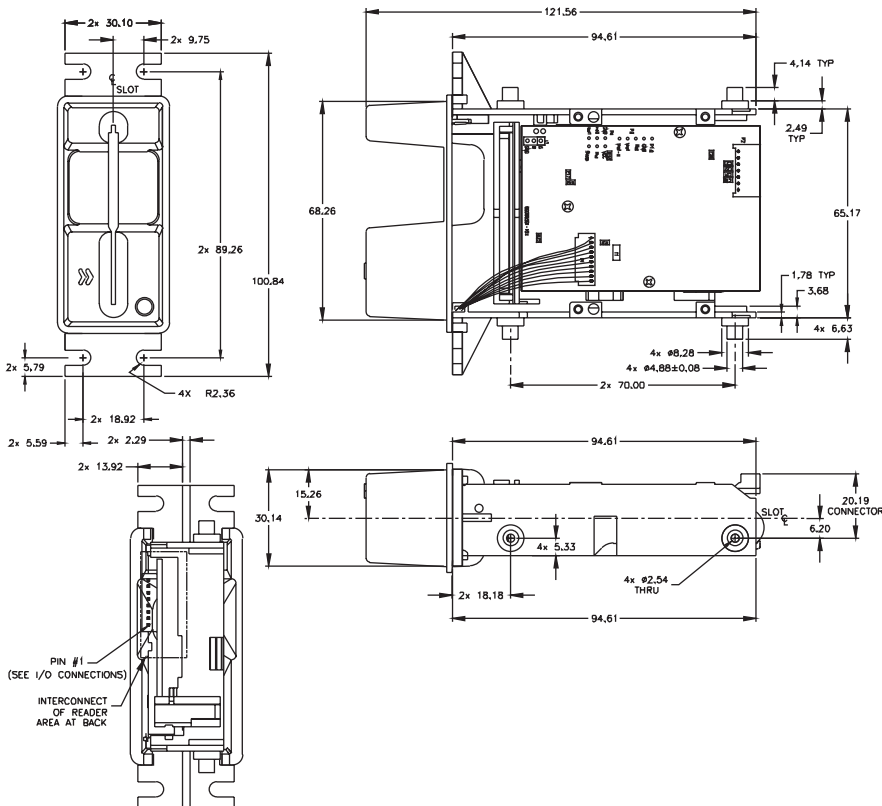
Reliability

Operating Life: 1,000,000 cycles minimum
Warranty: One year, parts and labor

Mechanical

Media Thickness: 0.025 inches (0.635mm) to 0.035 inches (0.889mm)
Media Formats: ISO 7811, AAMVA driver license format, and coercivity of 300 to 4,200 Oersted
Swipe Speed: 3 to 50 inches per second
Dimensions (standard bezel): 4.79 inches (121.56mm) x 3.97 inches (100.84mm) x 1.19 inches (30.14mm)
Weight: 0.168 lbs. (2.688 oz.)

Footprint:



IDTECH®

Value through Innovation

Corporate Headquarters:

10721 Walker Street, Cypress, California 90630
www.idtechproducts.com
(714) 761-6368 sales@idtechproducts.com

International Sales Office Canada & South America:

+450 465 5261 (Canada) roberttop@idtechproducts.com

European Sales Offices:

+49(0) 8851 6159900 (Germany)
emea@idtechproducts.com

ISO 9001 Certified