

iMag Pro II™

Credit Card Reader for iPhone 5, iPad mini, and iPad 4

Card Swiping on Your Apple 8-Pin Lightning Device

The ID TECH iMag Pro II is a magnetic stripe reader for all Apple Lightning connector devices: iPhones and iPads. Use your mobile device to read a variety of magnetic stripes including credit cards, signature debit cards, gift cards, loyalty cards, drivers licenses, and ID badges.

Superior MagStripe Reading Performance

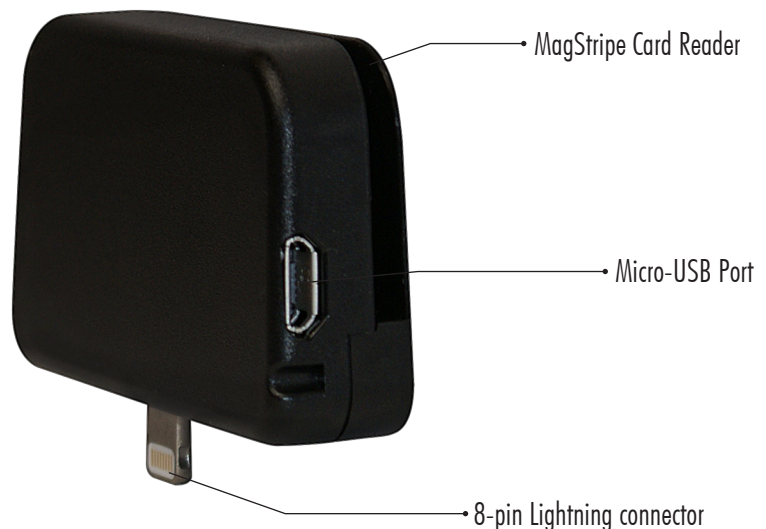
The iMag Pro II utilizes ID TECH's proven MagStripe reading technology, providing bidirectional card reading of up to three tracks of information. With a guaranteed operating life of at least 100,000 card swipes, the iMag Pro II offers exceptional card reading capabilities in a durable form factor.

Incredible Convenience

ID TECH's iMag Pro II allows merchants to provide their customers with another acceptable method of payment, and with the capability to swipe credit cards merchants can save money by avoiding costly card-not-present fees. With the ID TECH iMag Pro II, merchants can accept credit card payments wherever they go.

Features and Benefits:

- Supports TDES and AES encryption using DUKPT key management
- Reads up to three tracks of card data
- Superior MagStripe reader performance
- Bidirectional card reading
- Low battery consumption
- No external power supply required
- Small form factor for comfort and mobility
- Durable design that connects to any Apple 8-Pin mobile device
- Optional clip for the iPad 4 that provides additional support
- Micro-USB port for pass-through charging (charging cable not included)



iMag Pro II TM

Specifications IDMR-AL30133

Electrical

Power Consumption: 5 mA during swipe, 20 mA when idle
Interfaces: Lightning connector

Environmental

Operating Temperature: 32°F to 131°F (0°C to 55°C) non-condensing
Storage Temperature: -22°F to 158°F (-30°C to 70°C) non-condensing
Humidity: Maximum 95% non-condensing, dry storage

Reliability

Operating Life: 100,000 cycles minimum
Warranty: One year, parts and labor

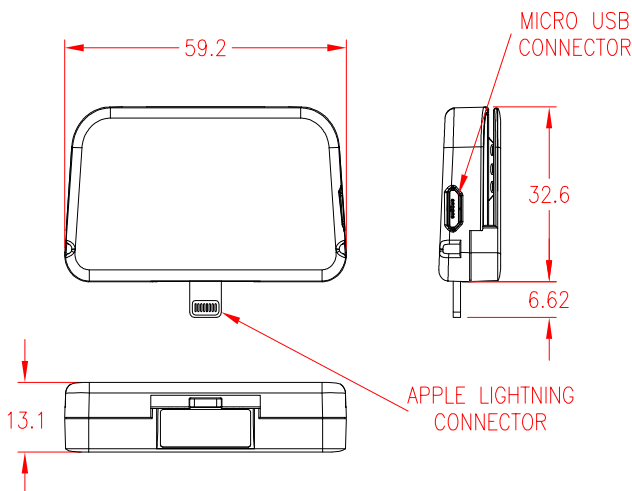
Mechanical

Dimensions (L)x(W)x(H): 2.32 inches (59 mm) x 0.52 inches (13 mm) x 1.28 inches (32.6 mm)
Media Thickness: 0.015 inches (0.381 mm) to 0.035 inches (0.889 mm)
Media Formats: ISO 7811, AAMVA
Swipe Speed: 3 to 60 inches per second, bidirectional
Weight: 0.664 oz.

Hardware Compatibility

- iPhone 5
- iPhone 5s
- iPhone 5c
- iPad mini
- iPad 4
- iPod touch

Footprint:



United States Sales Office

Corporate Headquarters

10721 Walker Street
Cypress, CA 90630
Phone: (714) 761-6368
Toll Free: (800) 984-1010
Fax: (714) 761-8880
sales@idtechproducts.com

International Sales Offices

Asia

+866-3-496-6988 (Taiwan)
asia@idtechproducts.com.tw

Canada

+450-465-5261
robertop@idtechproducts.com

South America

+55-11-3079-2255
internationalsales@idtechproducts.com

Europe

Germany & United Kingdom
emea@idtechproducts.com

ISO 9001 Certified



Value through Innovation

www.idtechproducts.com