

Sign&Pay™

PCI 2.1 Certified Payment Terminal

Product Overview

The ID TECH Sign&Pay is a PCI 2.1 certified payment terminal with an integrated MagStripe reader, PIN Pad and LCD signature panel. It provides excellent card reading performance as well as a bright, easy to read screen. An optional, external contactless reader module can also be attached to the device for hardware upgrades.

Ease of Use

The user can swipe MagStripe cards and enter PIN numbers or author signatures for transactions. The large color LCD screen makes on-screen navigation easy with the stylus. The device is command-driven and fully programmable to display custom graphics and prompts.

Well-Designed Package

The screen is uniquely positioned at the bottom of the device for a better signing experience. The PCI 2.1 certified PIN Pad is recessed to provide maximum privacy. The Sign&Pay can be mounted on a stand or placed on a countertop. The compact form factor also enables handheld use. Sign&Pay is ideal for the retail, banking, and self-service industries.

Features and Benefits:

- PCI 2.1 certified payment terminal
- DES and TDES encryption algorithms for PIN encryption
- AES, DES, and TDES encryption algorithms for MagStripe data encryption
- DUKPT Key Management
- Supports encrypted manual card data entry
- 3.5" QVGA color LCD
- Resistive touch pad technology
- Real-time electronic signature capture
- Signature format supported: .jpg, .bmp, .png, .sig, and .raw
- Host controlled graphics and prompts display
- Calibration mode available
- Optional ID TECH Xpress CM100 contactless module

Certified by:

- American Express Express Pay
- Discover Zip
- MasterCard PayPass
- Visa payWave
- EMV Contactless 2.0.1



IDTECH®
Value through Innovation

Sign&Pay™ Specifications IDFA-XXXX

Electrical

Interfaces: USB-HID, RS-232
Power: 5VDC \pm 10%

Mechanical

Dimensions: 6.18 in (157.15 mm) x 5.96 in (151.35 mm) x 2.36 in (59.95 mm)
Dimensions (with contactless): 8.90 in (226.06 mm) x 5.96 in (151.35 mm) x 3.43 in (87.12 mm)
Card Thickness: .015 in to .038 in (0.38mm to 1mm)
Weight: 1.25 lb (20.00 oz)
Weight (with contactless): 1.57 lb (25.12 oz)
Cable Length: 6 ft (1.83 m)

Display

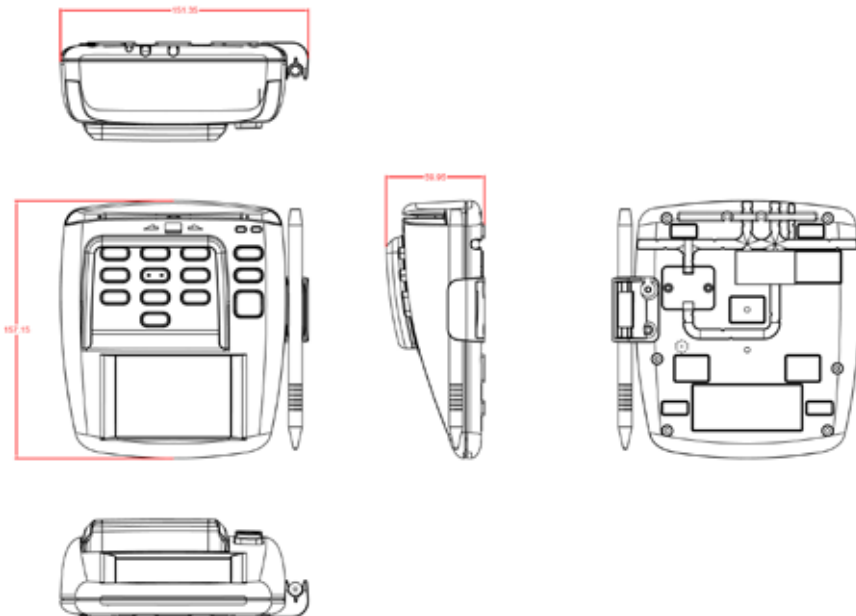
Screen Type: QVGA
Screen Size: 3.5 inches diagonal
Display Resolution: 320 x 240 pixels
Touch Pad Sampling Rate: 118 samples/second
Touch Screen: Resistive

Environmental

Operating Temperature Range: 0°C to 55°C (32°F to 131°F), non-condensing
Storage Temperature Range: -30°C to 65°C (-22°F to 149°F), non-condensing
Relative Humidity: Maximum 95% non-condensing
ESD: 4 kV direct contact, 8 kV air discharge

Reliability

Magnetic Head Life: 1,000,000 passes minimum
Rail and Cover Life: 1,000,000 passes minimum
MTBF: 300,000 POH



IDTECH®

Value through Innovation

Corporate Headquarters:

10721 Walker Street, Cypress, California 90630
www.idtechproducts.com
(714) 761-6368 sales@idtechproducts.com

International Sales Office

Canada & South America:

+450 465 5261 (Canada) robertop@idtechproducts.com

European Sales Offices:

+49(0) 8851 6159900 (Germany)
emea@idtechproducts.com

ISO 9001 Certified